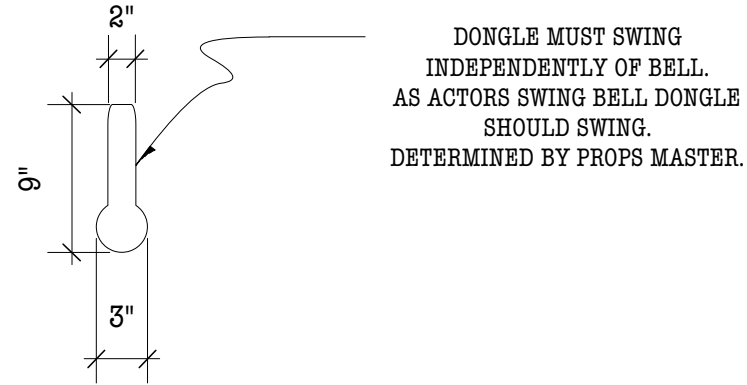
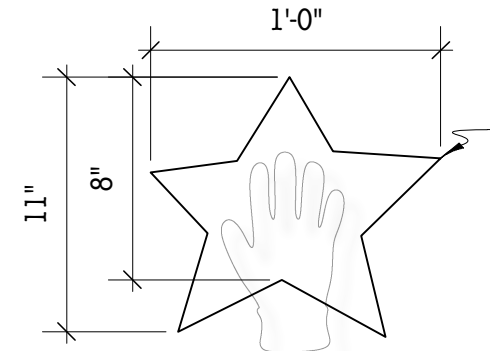


1 BELL  
Scale: 1" = 1'-0"

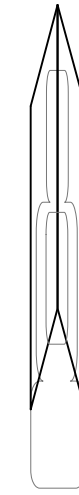


DONGLE MUST SWING INDEPENDENTLY OF BELL. AS ACTORS SWING BELL DONGLE SHOULD SWING. DETERMINED BY PROPS MASTER.

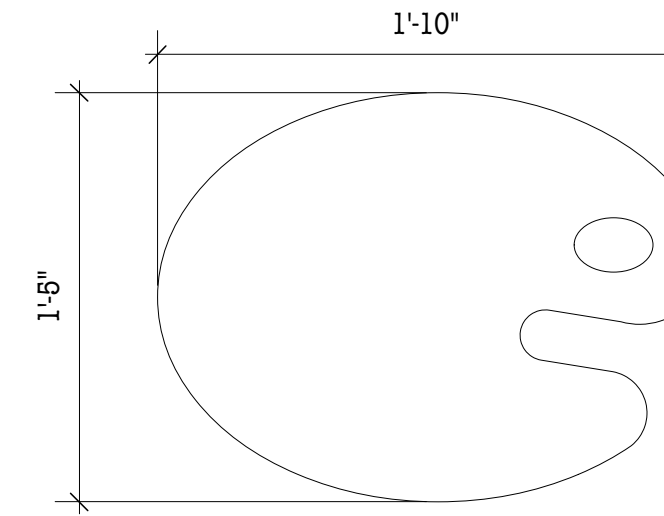


2 STAR HAND  
Scale: 1 1/2" = 1'-0"

THE STAR SHOULD BE MADE FROM SHINY GOLD CLOTH. SANDWICH A GLOVE OR A POCKET BETWEEN TWO STAR CUT OUTS AT THE BOTTOM OF THE STARS WIDE ENOUGH FOR A HAND.



3 STAR SECTION  
Scale: 2" = 1'-0"

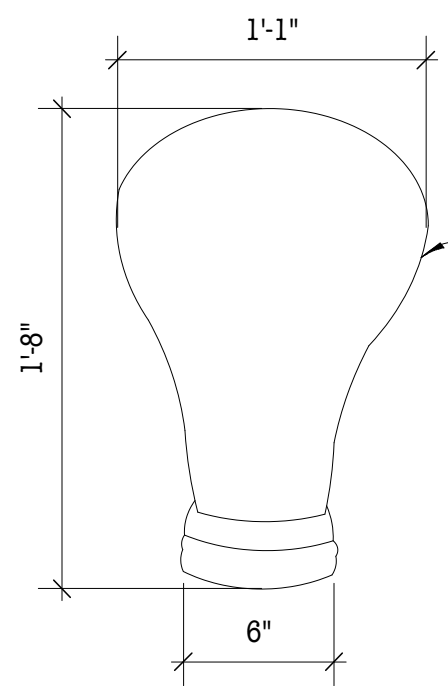


4 PAINTERS PALETTE  
Scale: 1 1/2" = 1'-0"

PALETTE SHOULD BE COVERED IN VARIOUS COLORS OF PAINT GLOBS. MUST HAVE A BRUSH TO MATCH WHICH IS PROPORTIONAL.

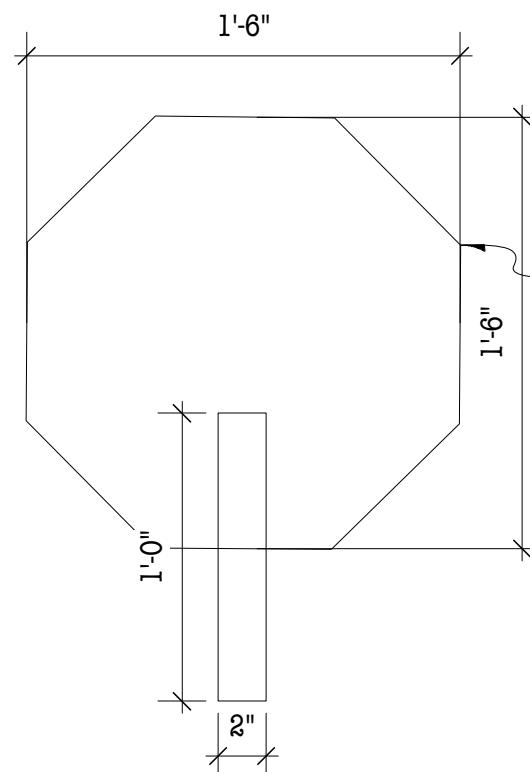


sharry stock photo



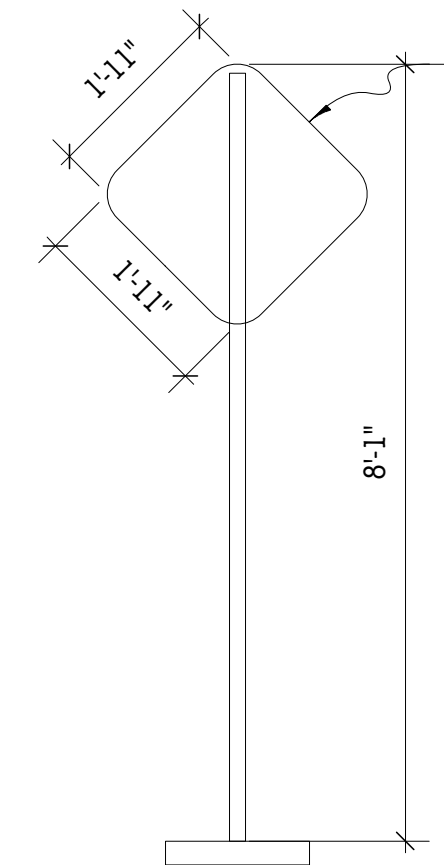
5 LIGHT BULB  
Scale: 1 1/2" = 1'-0"

THE LIGHT BULB NEEDS TO HAVE AN ACTOR TRIGGERED LIGHT SO THAT THE ACTOR CAN TURN ON THE LIGHT BULB ON STAGE.



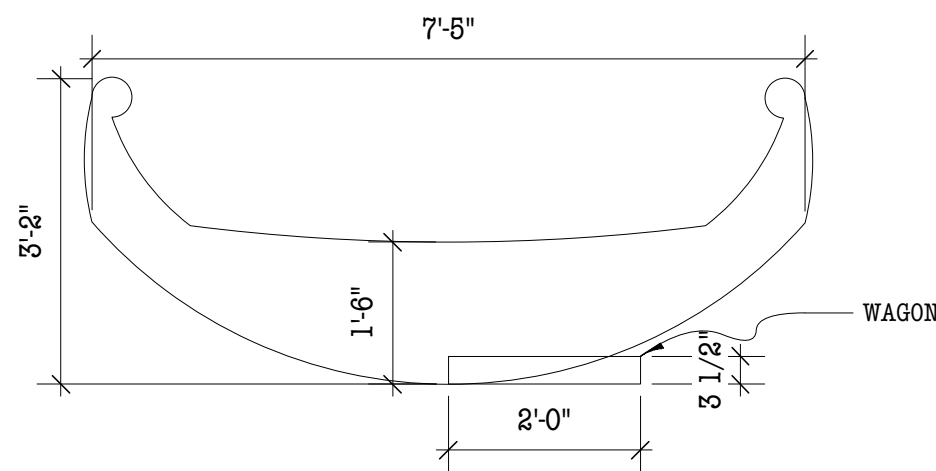
6 STOP SIGN  
Scale: 1 1/2" = 1'-0"

HAND HELD STOP SIGN. MATERIAL DETERMINED BY PROPS MASTER.



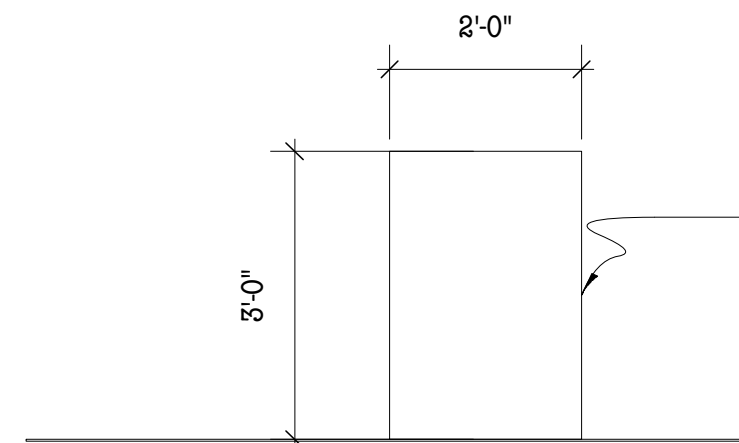
7 BUS STOP SIGN  
Scale: 1/2" = 1'-0"

BUS STOP SIGN IS CARRIED ON AND MUST STAND ALONE.



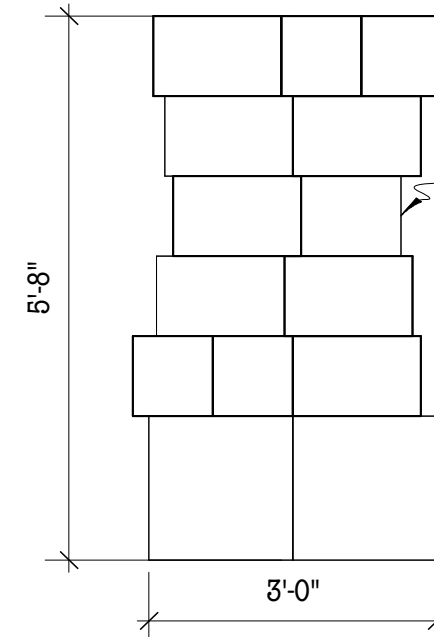
8 GONDOLA  
Scale: 1/2" = 1'-0"

WAGON



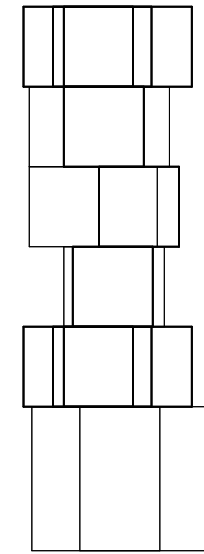
9 GONDOLA SECTION  
Scale: 1/2" = 1'-0"

TWO ACTORS WILL SIT ON THE WAGON AND CRAB SOCCER PUSH THE GONDOLA WITH THEIR FEET ACROSS THE STAGE AS THE GONDOLA DRIVER WALKS WITH THE BOAT NEXT TO THEM.



10 EVOLUTION BOXES  
Scale: 1/2" = 1'-0"

STACK 2 MEDIUM MOVING BOXES AS BASE 18X18X16 AND STACK 12 SMALL MOVING BOXES ON TOP 16X10X10. NEED 6 BOX TOWERS. ACTORS MUST BE ABLE TO SPIN THESE TOWERS ON STAGE REVEALING IMAGES ON TWO OF THE FOUR SIDES.



11 EVOLUTION BOXES SECTION  
Scale: 1/2" = 1'-0"

<p><b>Disclaimer</b></p> <p><i>These drawings represent visual concepts and construction suggestions only. The designer is unqualified to determine structural appropriateness of this design and will not assume responsibility for improper rigging, engineering, construction, handling or use of this scenery. All materials and construction must comply with the most stringent applicable federal and local fire and safety codes.</i></p>	<p><b>General Notes</b></p>	<p><b>A THOUSAND WORDS</b></p>		<p>Scenic Designer <b>GRACE TRUDEAU</b> www.gracetruudeau.weebly.com 614-309-1366 trudeau.grace@gmail.com</p>	<p>Plate</p> <p><b>12</b></p> <p>of 12</p>	
		<p><b>STUDIO THEATRE</b></p>				<p>Director: ANDY PARK</p>
		<p><b>PROPS</b></p>				<p>Lighting Designer: CAMERON L STRANDIN</p>
		<p>Date: 01/08/2020</p>				<p>Costume Designer: TORRIE CAMMACK</p>
		<p>Scale: AS NOTED</p>	<p>Sound Designer: JEFF O'BRIEN</p>			